



Oven with microwaves

OCM8478G

Elements

Installation: Built-in

Pearl Black

Combined compact microwave oven

Oven volume: 50 l

1 wire guide

Construction and performance

- Oven type: Combined compact microwave oven
- Max. oven temperature: 250 °C
- Technology of producing microwaves: Inverter technology, Stirrer technology

Use and flexibility

- Oven illumination: On both sides/different heights
- Telescopic slides: 1 wire guide
- Grill rack: 2 pcs
- Baking trays: 1 x shallow enameled baking tray, 1 x glass tray
- Rotating grill spit: No
- Door hinge: Soft opening

Programs

- Heating type: Lower and upper heater
- Heating type: Upper heater
- Heating type: Lower heater
- Heating type: Small infra grill
- Heating type: Large infra heater
- Heating type: Large infra heater with fan
- Heating type: Lower heater with circular heater and fan
- Heating type: Circular heater
- Heating type: Lower heater with ventilation
- Heating type: Microwaves
- Heating type: Microwave and hot air
- Heating type: Microwaves and grill
- Heating type: FastPreheat
- Heating type: StayWarm
- Heating type: WarmPlate
- Heating type: AquaClean with microwaves
- Heating type: AutoRoast
- Heating type: Defrost
- Heating type: Eco function
- Stage cooking: Yes

Design and integration

- Door material: Ceramic glass
- Colour of the product: Pearl Black
- Support feet: 4 fixed feet
- Min. niche width: 560 mm
- Min. niche height: 450 mm
- Depth (incl. wall spacing): 550 mm

Safety and maintenance

- Ventilator system: Active cooling of oven and door glass
- Door surface temperature: Cool Door
- Cleanability door glasses: No

Technical data

- Voltage (V): 220-240 V
- Frequency: 50-60 Hz

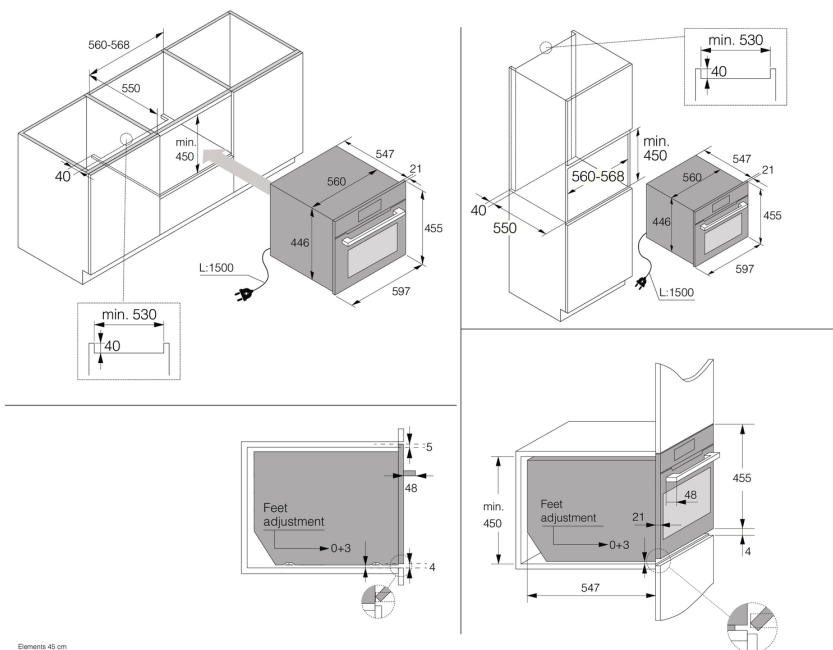
- Time needed for the appliance to reach the applicable low power mode or condition: 15 min
- Power consumption in standby mode - status display excluded: 0.5 W

Dimensions

- Height: 455 mm
- Width: 595 mm
- Depth: 546 mm
- Net weight: 37.1 kg

Logistic information

- Packaging height: 550 mm
- Packaging width: 660 mm
- Packaging depth: 700 mm
- Gross weight: 41.8 kg
- Product code: 507870
- EAN code: 3838942072871



Elements 45 cm